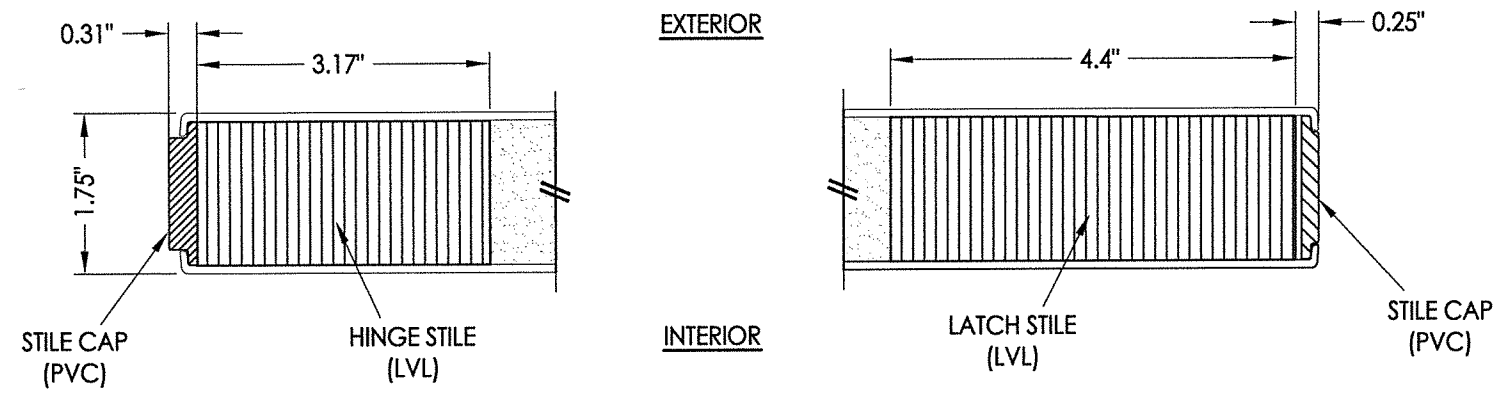
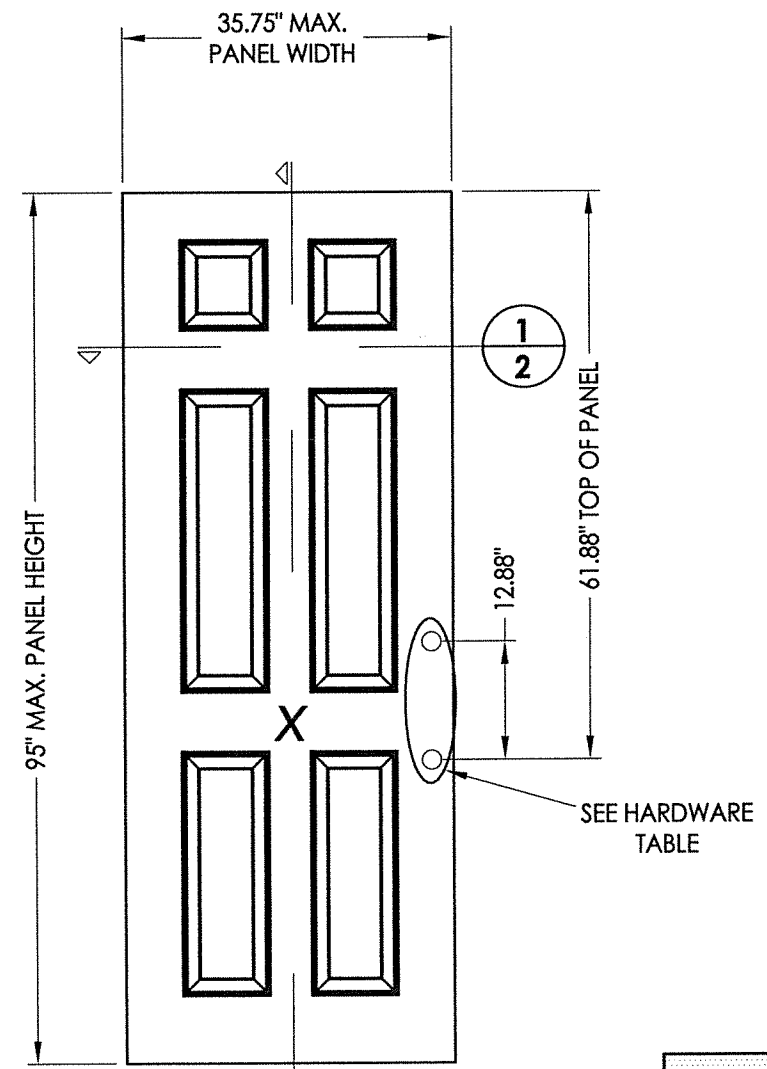


Z:\Clients\Trinity Glass PERMANENTVA - Florida Product Approvals\FL - 25575\C - Drawings\FL 25575 (2020)\FL-25575.14-15.dwg



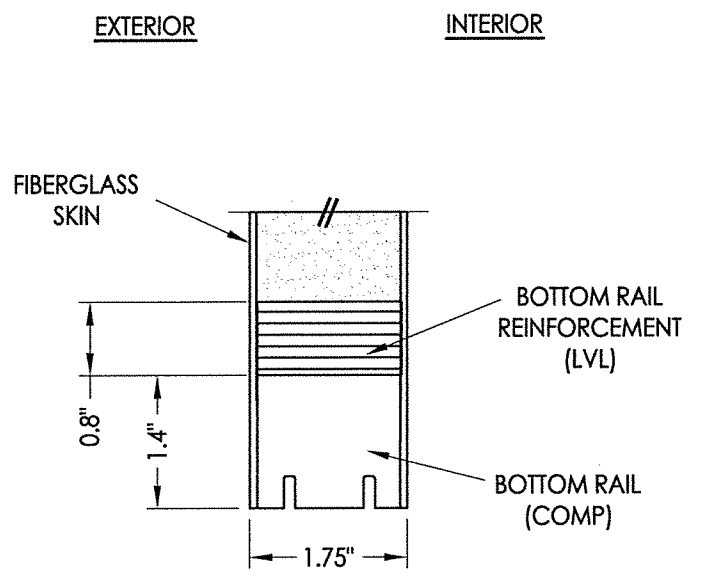
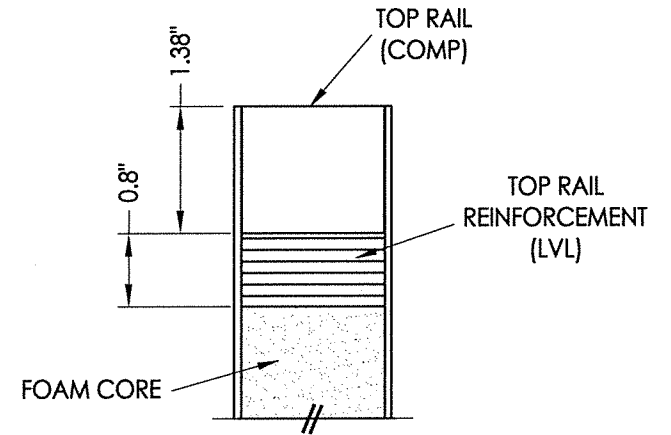
1
2 HORIZONTAL CROSS SECTION



2
2
40 OPAQUE DOOR PANEL
Fiberglass

HARDWARE CHART	
MANUFACTURER	MODEL
KWIKSET	KNOB: SIGNATURE SERIES
	DEADBOLT: SIGNATURE SERIES (980)
SCHLAGE	KNOB: F SERIES
	DEADBOLT: B60 SERIES

DOOR SKIN: 0.085" MIN. THK. FIBERGLASS
CORE MATERIAL: POLYURETHANE FOAM



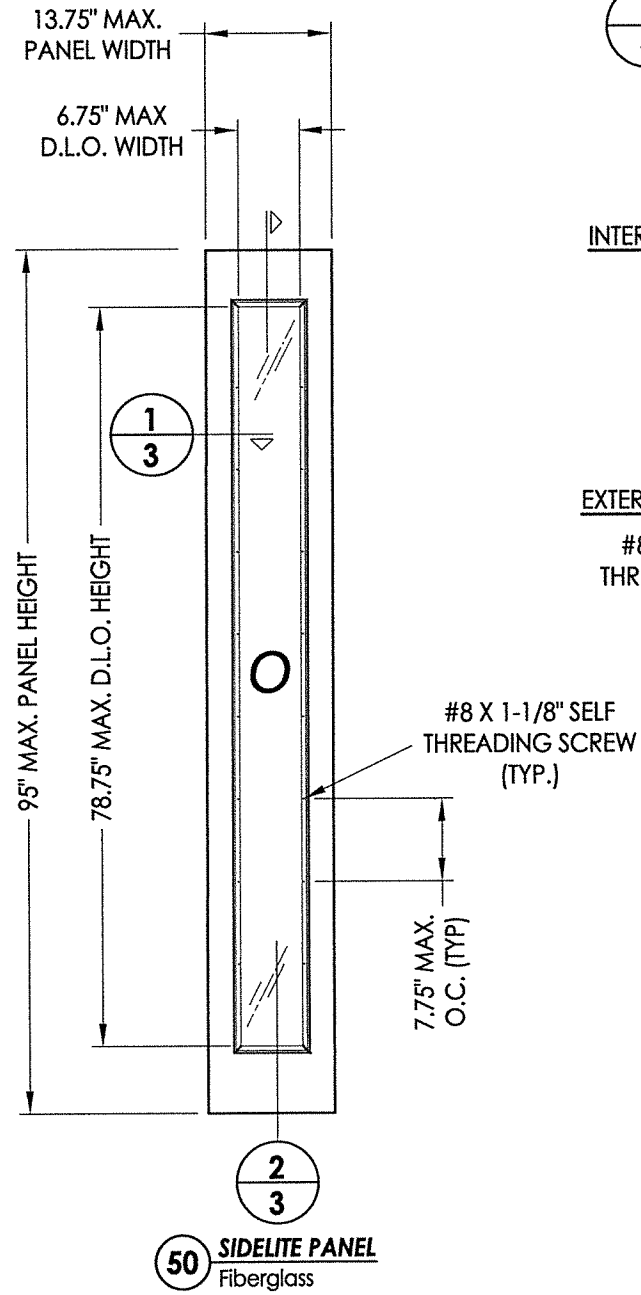
2
2 VERTICAL CROSS SECTION

April 13, 2021
 Documents Prepared By:
 Lyndon F. Schmidt
 P.E. No. 43409

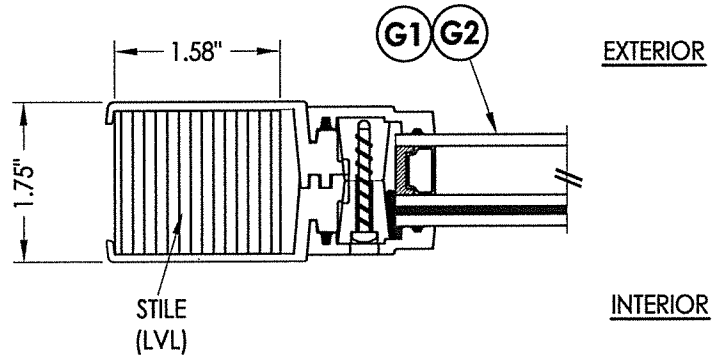
RW
 BUILDING CONSULTANTS, INC.
 P.O. Box 230, Valrico, FL 33595
 Phone No.: 813.659.9197
 FBPE Registry No. 9813

PRODUCT:	TRINITY GLASS INT'L
PART OR ASSEMBLY:	DOOR PANEL DETAILS
NO.	DATE
BY	REVISIONS
DATE:	3/24/21
SCALE:	N.T.S.
DWG. BY:	RW
CHK. BY:	LFS
DRAWING NO.:	FL-25575.14
SHEET	2 OF 13

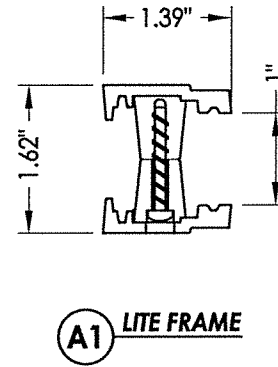
Z:\Clients\Trinity Glass PERMANENTVA - Florida Product Approvals\FL - 25575\C. Drawings\FL 25575 (2020)\FL-25575.14-15.dwg



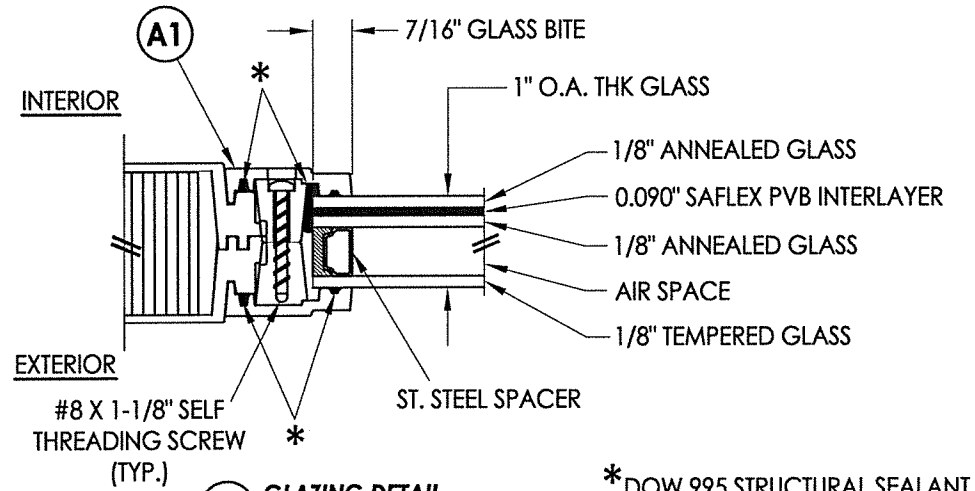
50 SIDELITE PANEL
Fiberglass



1 HORIZONTAL CROSS SECTION

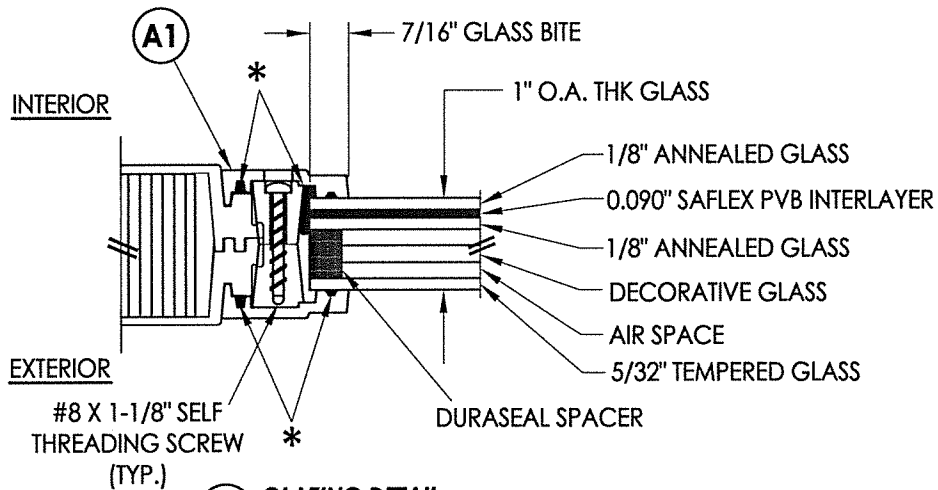


A1 LITE FRAME

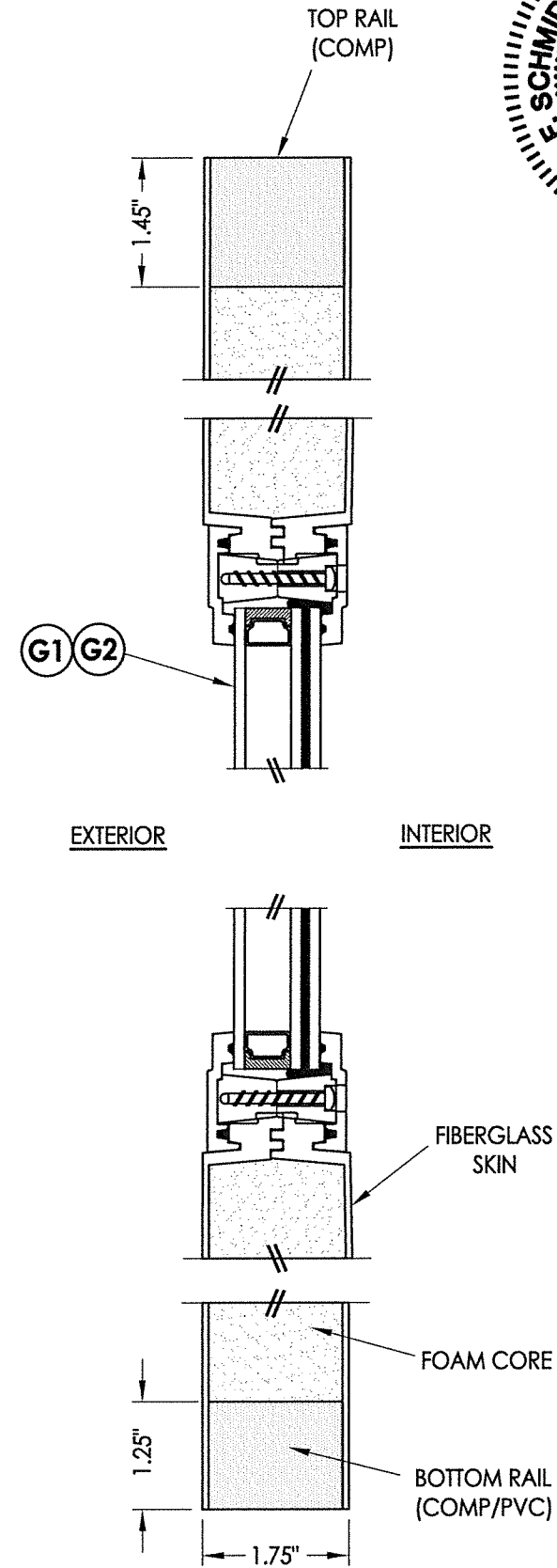


G1 GLAZING DETAIL
DUAL GLAZED

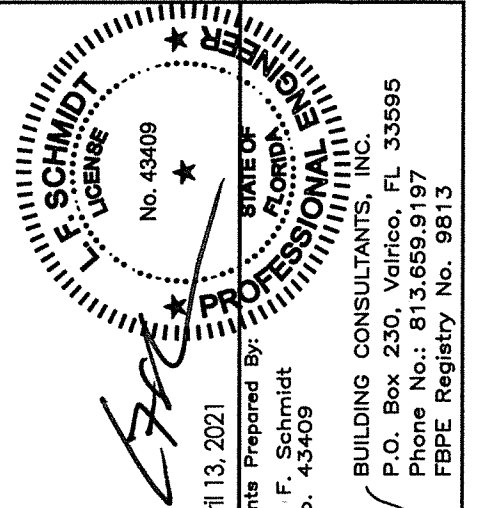
*DOW 995 STRUCTURAL SEALANT



G2 GLAZING DETAIL
TRIPLE GLAZED



2 VERTICAL CROSS SECTION



April 13, 2021

Documents Prepared By:
Lyndon F. Schmidt
P.E. No. 43409

RW BUILDING CONSULTANTS, INC.
P.O. Box 230, Vairico, FL 33595
Phone No.: 813.659.9197
FBPE Registry No. 9813

PRODUCT:	TRINITY GLASS INT'L
PART OR ASSEMBLY:	SIDELITE PANEL DETAILS

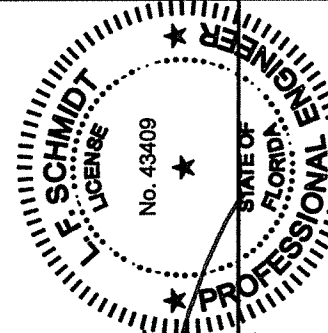
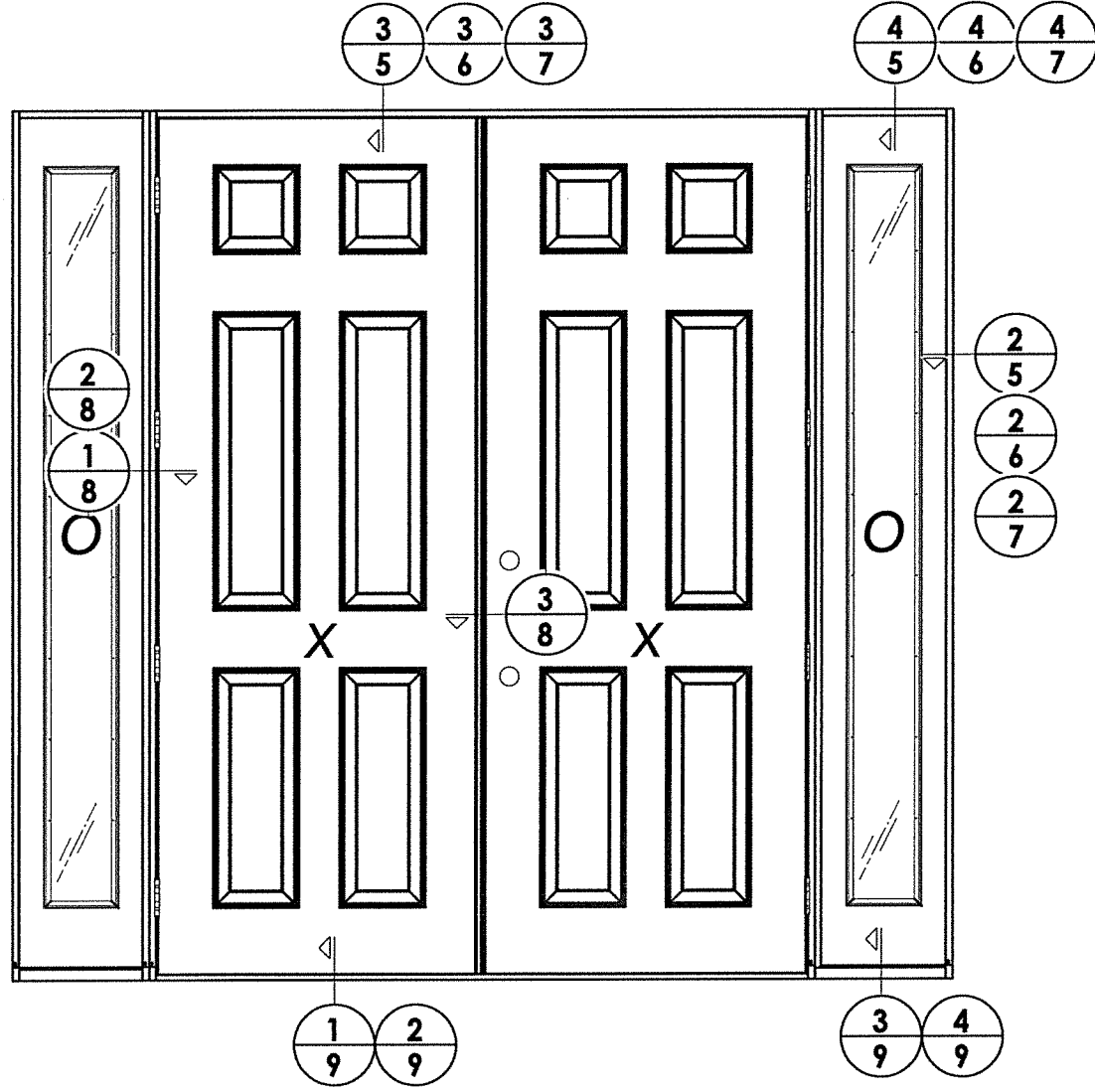
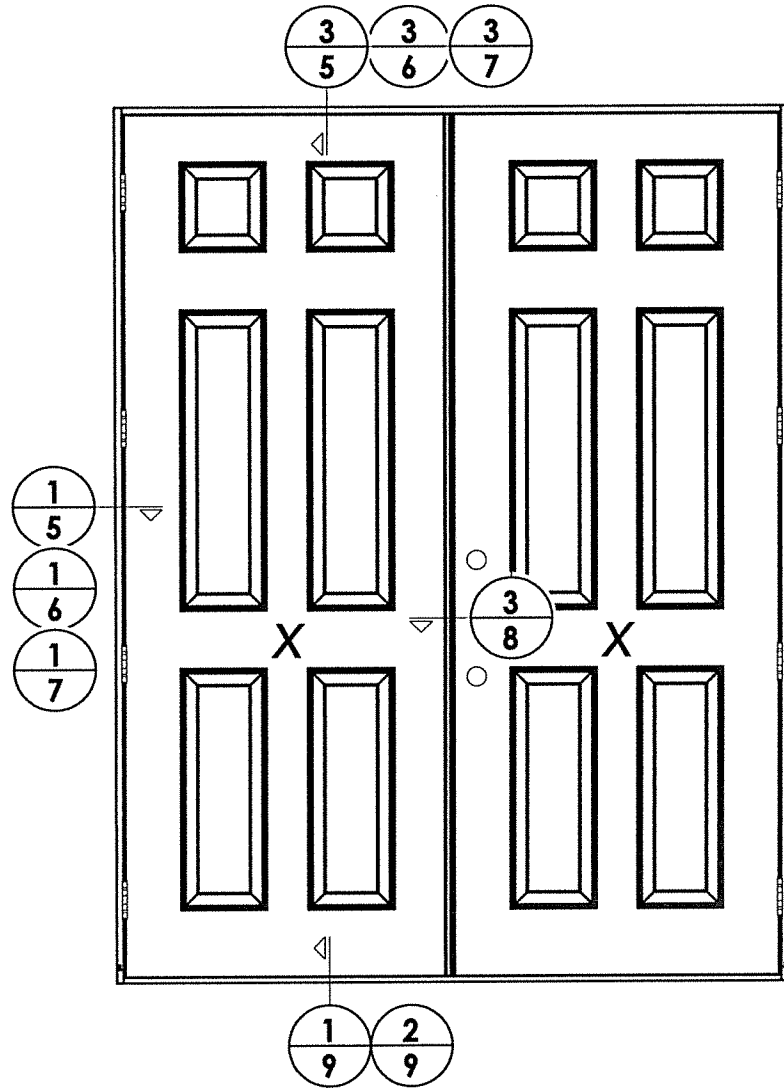
NO.	DATE	BY	REVISIONS

DATE:	3/24/21
SCALE:	N.T.S.
DWG. BY:	RW
CHK. BY:	LFS
DRAWING NO.:	FL-25575.14
SHEET	3 OF 13

DOOR SKIN: 0.075" MIN. THK. FIBERGLASS
CORE MATERIAL: POLYURETHANE FOAM

© 2021 R.W. BUILDING CONSULTANTS INC.

Z:\Clients\Trinity Glass PERMANENT\A - Florida Product Approvals\FL - 25575\C. Drawings\FL 25575 (2020)\FL-25575.14-15.dwg

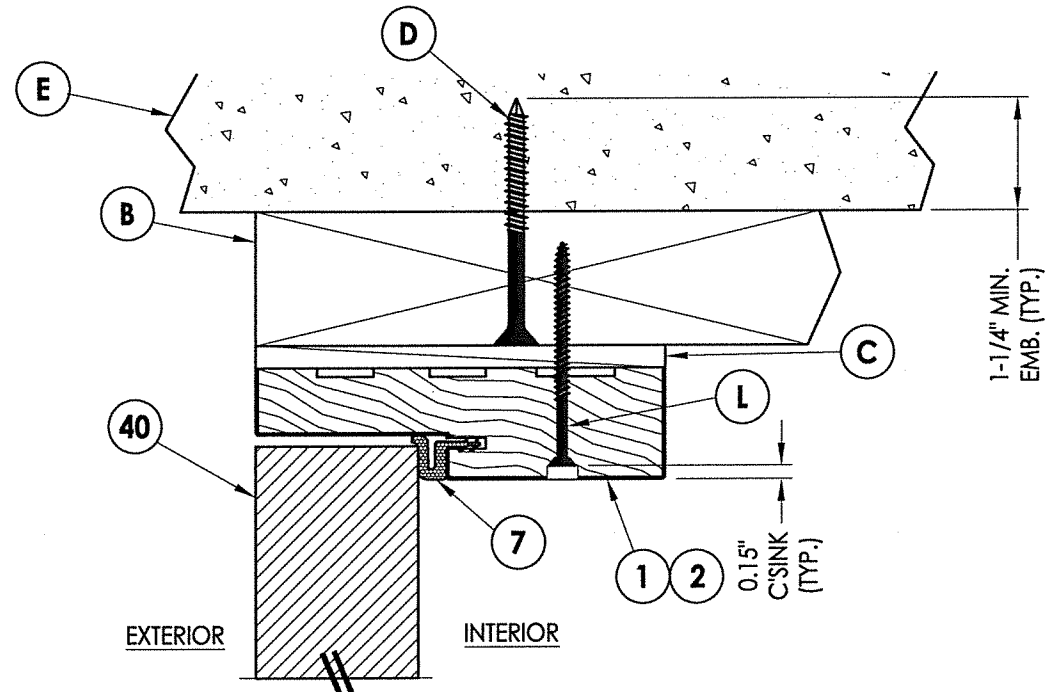


LFS
 April 13, 2021
 Documents Prepared By:
 Lyndon F. Schmidt
 P.E. No. 43409

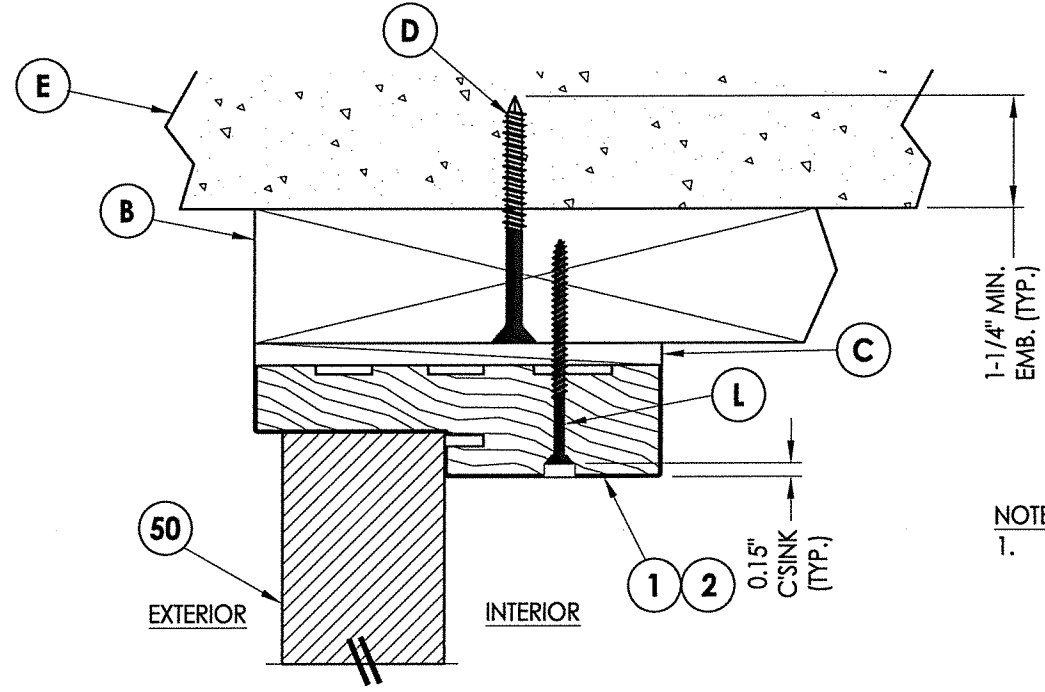
DATE: 3/24/21	
SCALE: N.T.S.	
DWG. BY: RW	
CHK. BY: LFS	
DRAWING NO.: FL-25575.14	
SHEET 4 OF 13	
PRODUCT: TRINITY GLASS INT'L	
PART OR ASSEMBLY: ELEVATIONS	
NO.	DATE
	BY
REVISIONS	

RW
 BUILDING CONSULTANTS, INC.
 P.O. Box 230, Vairico, FL 33595
 Phone No.: 813.659.9197
 FBPE Registry No. 9813

Z:\Clients\Trinity Glass PERMANENT\A - Florida Product Approvals\FL - 25575\C-Drawings\FL 25575 (2020)\FL-25575.14-15.dwg

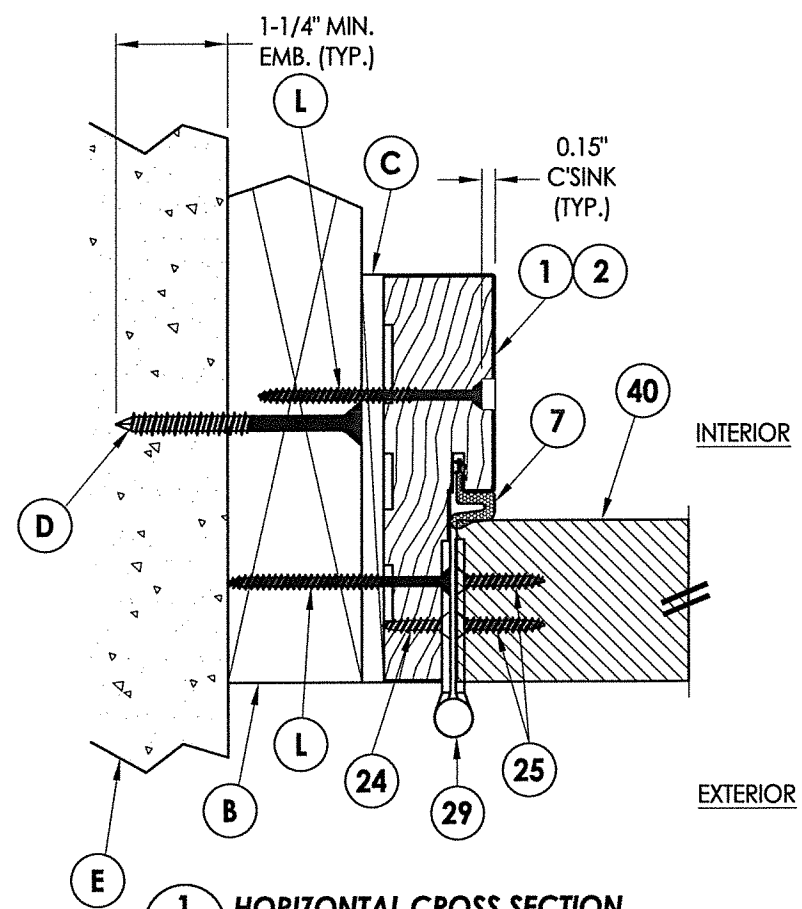


3 VERTICAL CROSS SECTION
5 Outswing shown - Inswing also approved

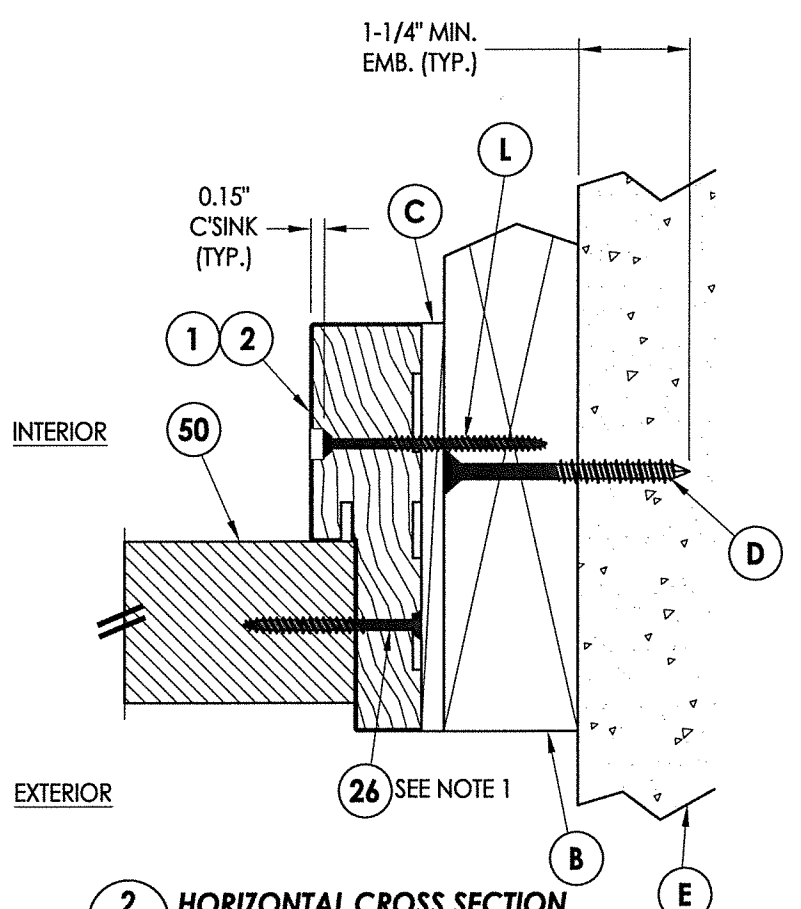


4 VERTICAL CROSS SECTION
5 Outswing shown - Inswing also approved

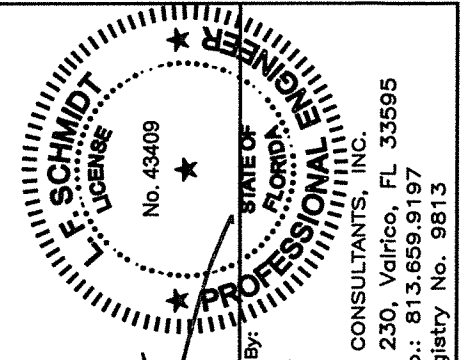
NOTE:
 1. Item #26 located 6" from each end plus 5 more equally spaced (7 total).



1 HORIZONTAL CROSS SECTION
5 Outswing shown - Inswing also approved



2 HORIZONTAL CROSS SECTION
5 Outswing shown - Inswing also approved



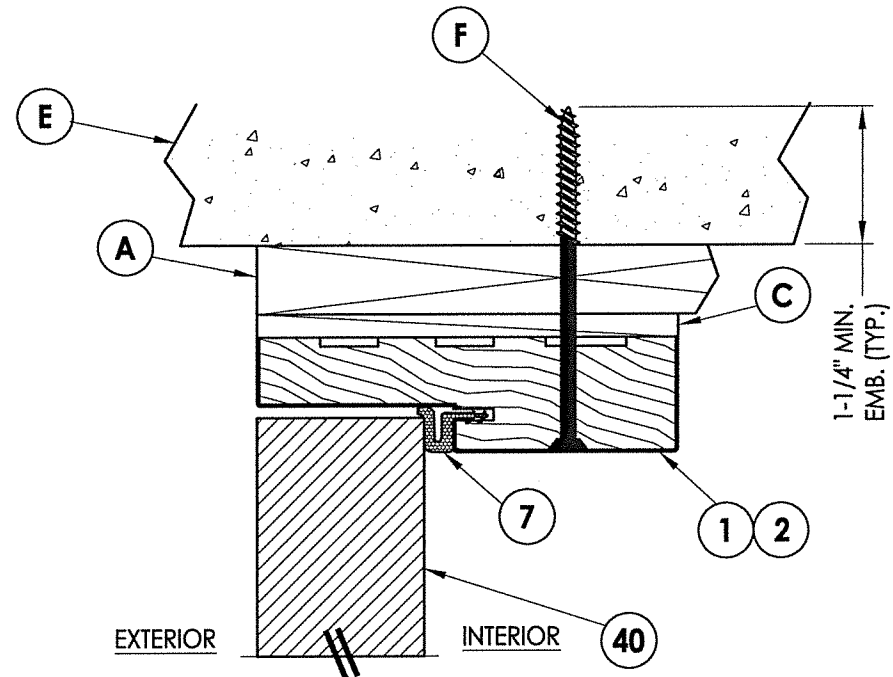
April 13, 2021
 Documents Prepared By:
 Lyndon F. Schmidt
 P.E. No. 43409
 R.W.
 BUILDING CONSULTANTS, INC.
 P.O. Box 230, Valrico, FL 33595
 Phone No.: 813.659.9197
 FBPE Registry No. 9813

PRODUCT: TRINITY GLASS INT'L
 PART OR ASSEMBLY:
 HORIZONTAL AND VERTICAL
 CROSS SECTIONS (2X BUCK)

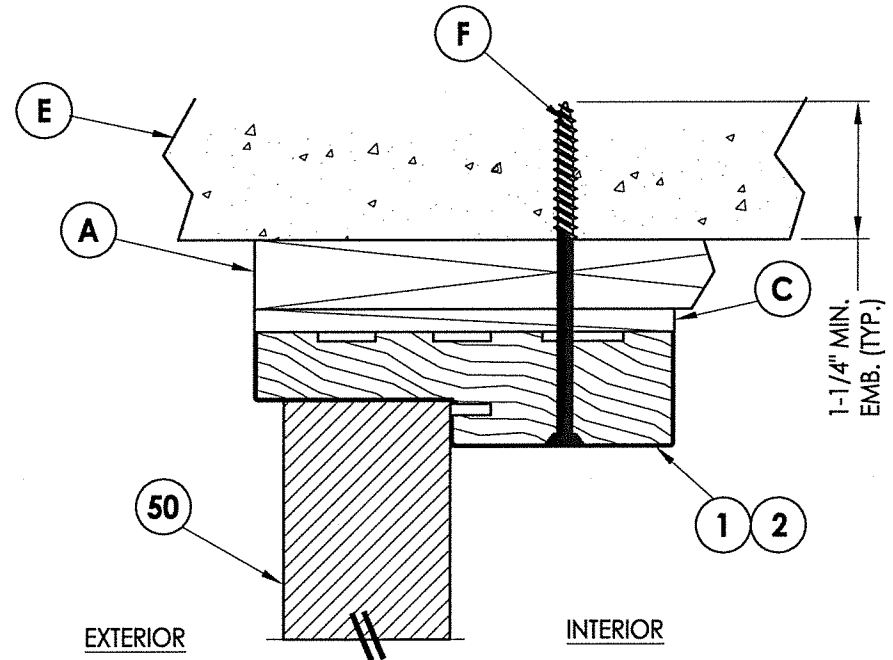
NO.	DATE	BY	REVISIONS

DATE: 3/24/21
 SCALE: N.T.S.
 DWG. BY: RW
 CHK. BY: LFS
 DRAWING NO.: FL-25575.14
 SHEET 5 OF 13

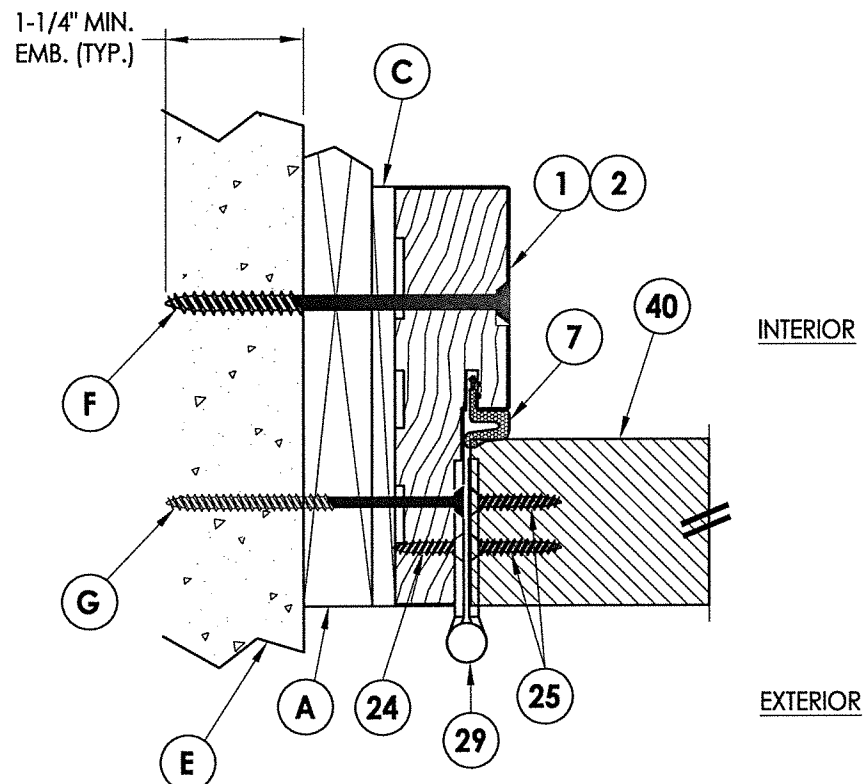
Z:\Clients\Trinity Glass PERMANENT\A - Florida Product Approvals\FL - 25575\C. Drawings\FL 25575 (2020)\FL-25575.14-15.dwg



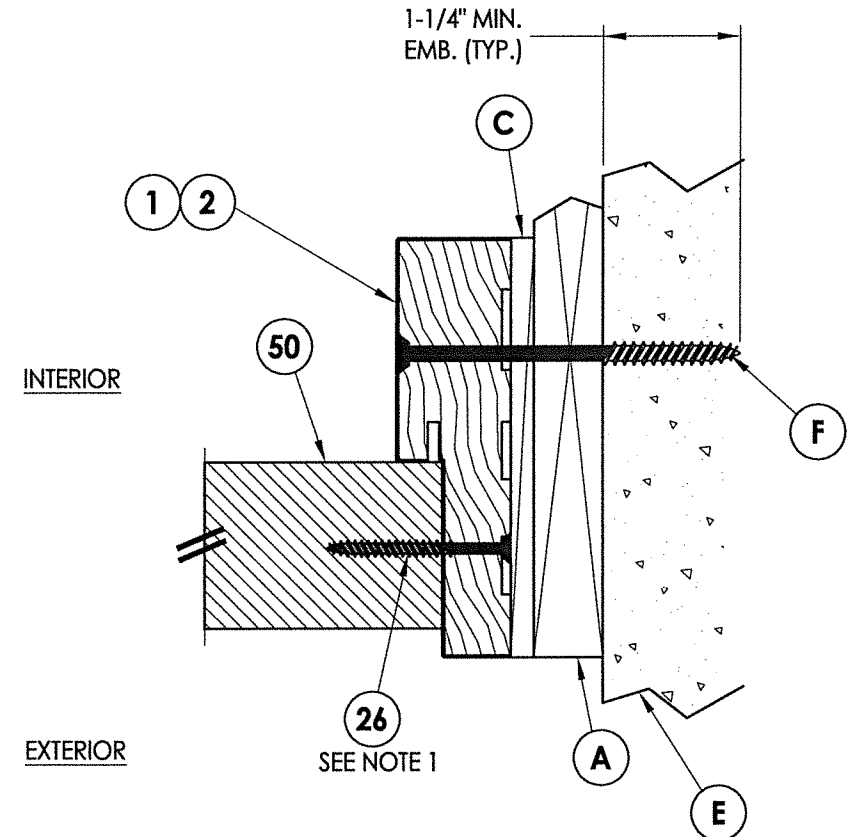
3 VERTICAL CROSS SECTION
6 Outswing shown - Inswing also approved



4 VERTICAL CROSS SECTION
6 Outswing shown - Inswing also approved



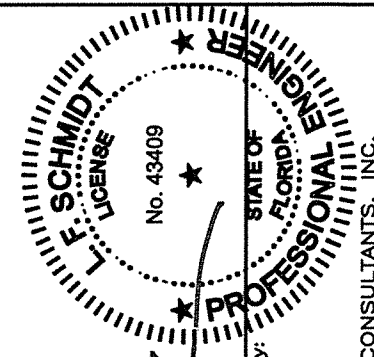
1 HORIZONTAL CROSS SECTION
6 Outswing shown - Inswing also approved



2 HORIZONTAL CROSS SECTION
6 Outswing shown - Inswing also approved

NOTE:

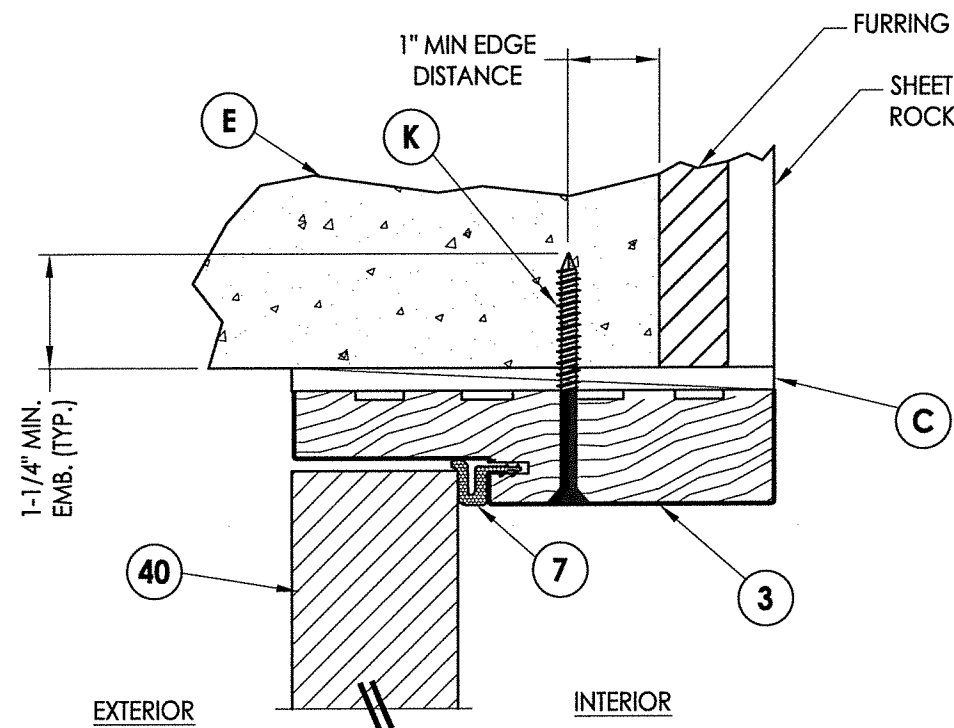
1. Item #26 located 6" from each end plus 5 more equally spaced (7 total).



Lyndon F. Schmidt
 P.E. No. 43409
 April 13, 2021
 Documents Prepared By:

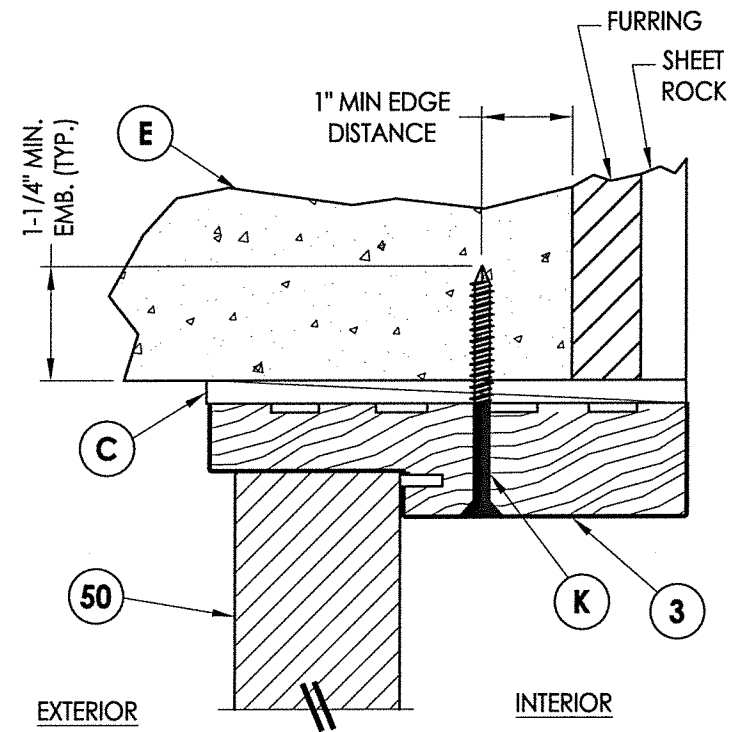
RW BUILDING CONSULTANTS, INC.
 P.O. Box 230, Valrico, FL 33595
 Phone No.: 813.659.9197
 FBPE Registry No. 9813

PRODUCT:	TRINITY GLASS INT'L	
PART OR ASSEMBLY:	HORIZONTAL AND VERTICAL CROSS SECTIONS (1X BUCK)	
NO.	DATE	BY
REVISIONS		
DATE:	3/24/21	
SCALE:	N.T.S.	
DWG. BY:	RW	
CHK. BY:	LFS	
DRAWING NO.:	FL-25575.14	
SHEET	6	OF 13

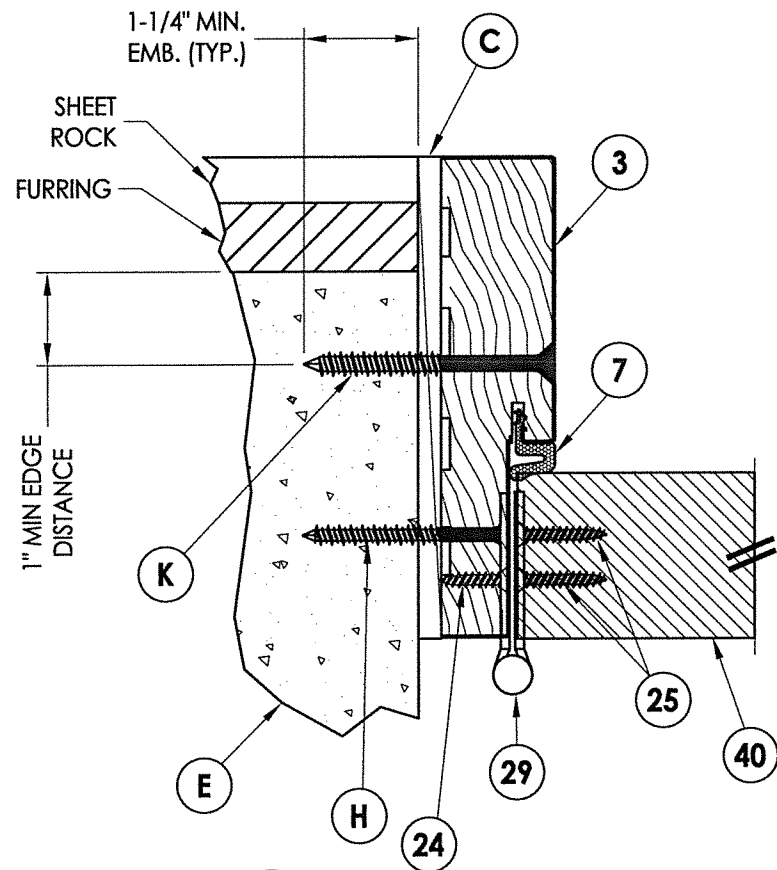


3 VERTICAL CROSS SECTION
7 Outswing only

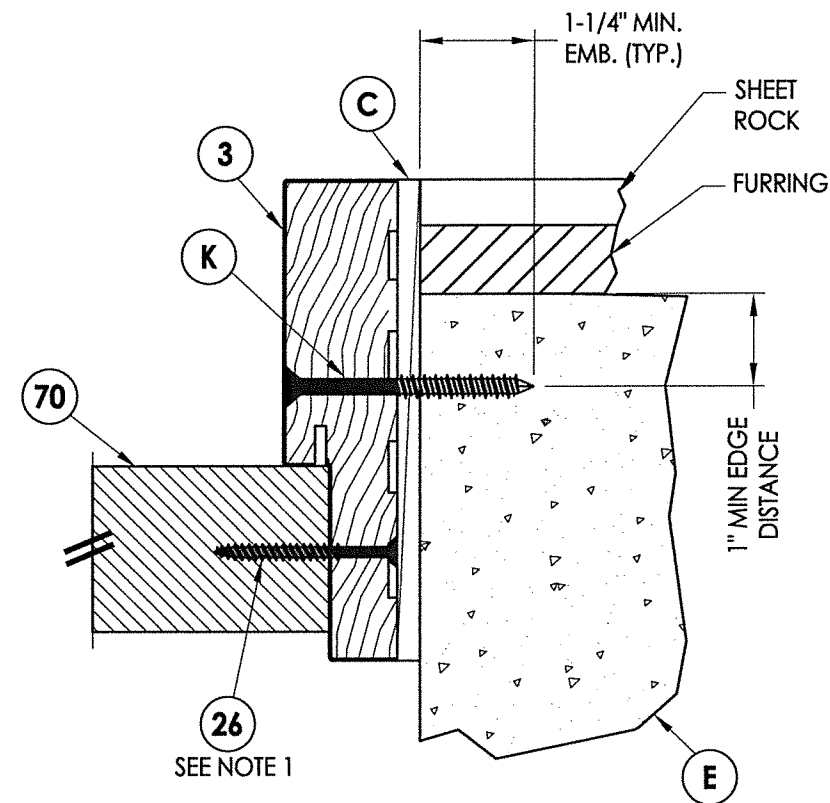
NOTE:
 1. Item #26 located 6" from each end plus 5 more equally spaced (7 total).



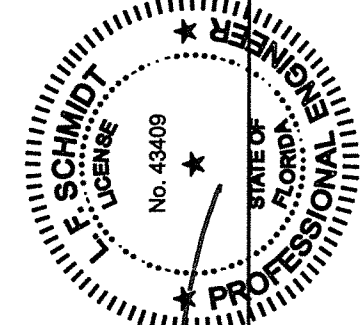
4 VERTICAL CROSS SECTION
7 Outswing only



1 HORIZONTAL CROSS SECTION
7 Outswing only



2 HORIZONTAL CROSS SECTION
7 Outswing only

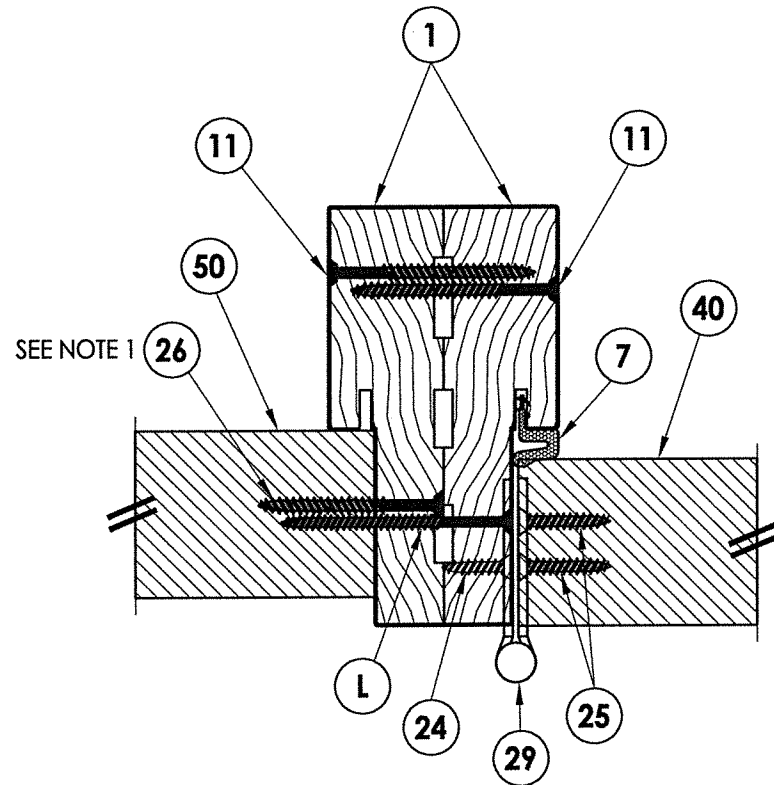


April 13, 2021
 Documents Prepared By:
 Lyndon F. Schmidt
 P.E. No. 43409

RW
 BUILDING CONSULTANTS, INC.
 P.O. Box 230, Vairico, FL 33595
 Phone No.: 813.659.9197
 FBPE Registry No. 9813

PRODUCT:	TRINITY GLASS INT'L
PART OR ASSEMBLY:	HORIZONTAL AND VERTICAL CROSS SECTIONS (DIRECT TO MASONRY)
DATE:	3/24/21
SCALE:	N.T.S.
DWG. BY:	RW
CHK. BY:	LFS
DRAWING NO.:	FL-25575.14
SHEET	7 OF 13

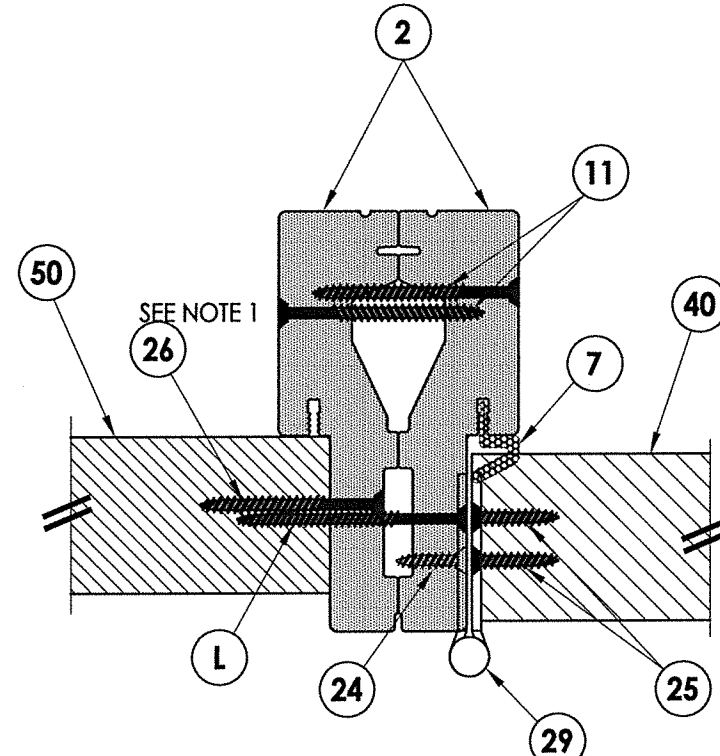
NOTE:
1. Item #26 located 6" from each end plus 5 more equally spaced (7 total).



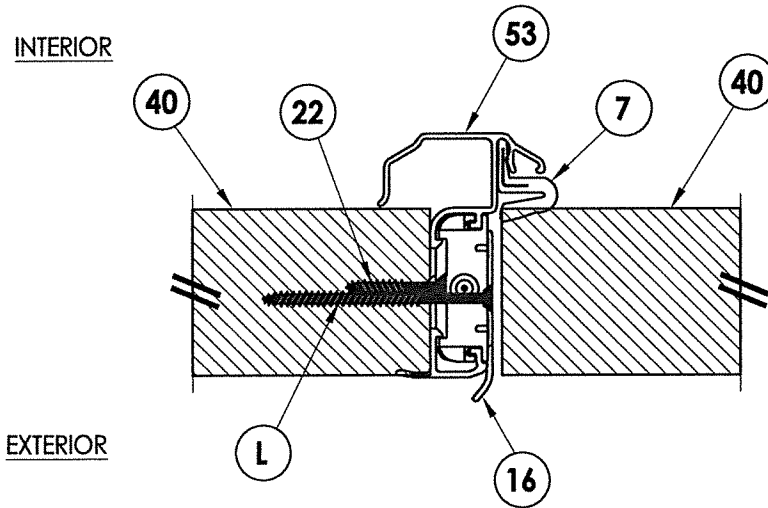
INTERIOR

EXTERIOR

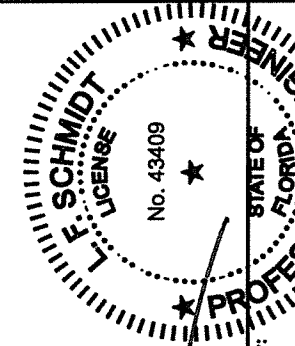
1 **HORIZONTAL CROSS SECTION**
8 Outswing shown - Inswing also approved



2 **HORIZONTAL CROSS SECTION**
8 Outswing shown - Inswing also approved



3 **HORIZONTAL CROSS SECTION**
8 Outswing shown - Inswing also approved



April 13, 2021

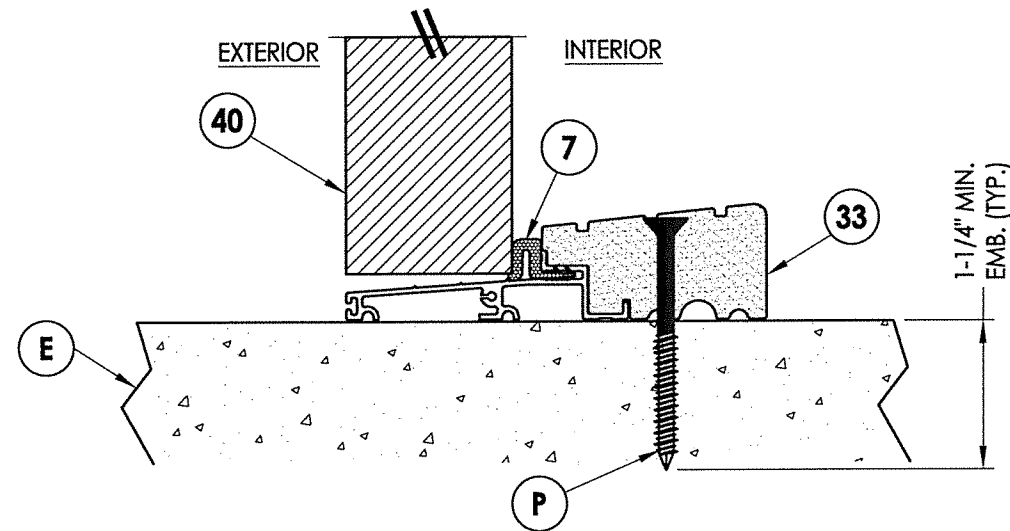
Documents Prepared By:
Lyndon F. Schmidt
P.E. No. 43409

PROFESSIONAL ENGINEER
STATE OF FLORIDA
No. 43409
R.W. BUILDING CONSULTANTS, INC.
P.O. Box 230, Valrico, FL 33595
Phone No.: 813.659.9197
FBPE Registry No. 9813

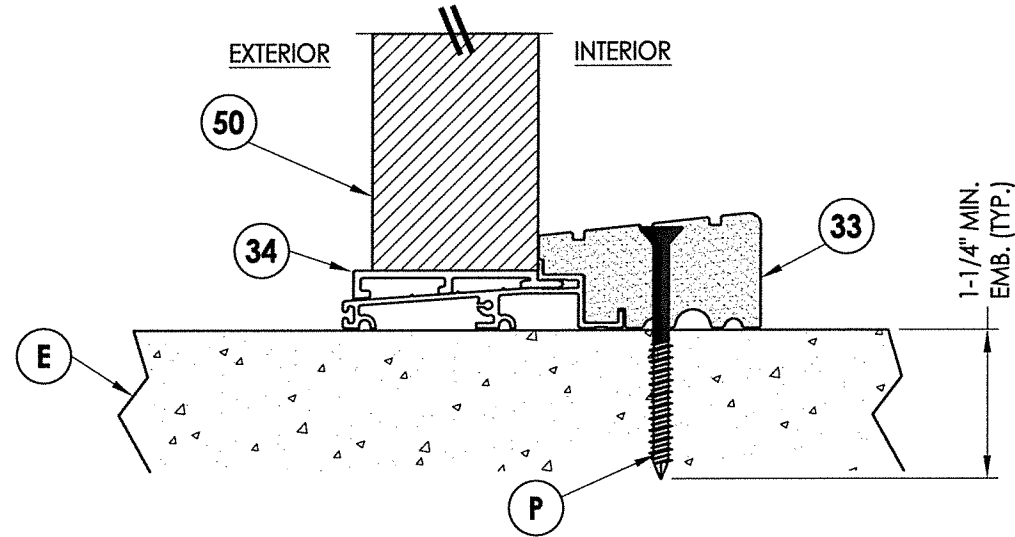
PRODUCT:	TRINITY GLASS INT'L
PART OR ASSEMBLY:	HORIZONTAL CROSS SECTIONS

NO.	DATE	BY	REVISIONS

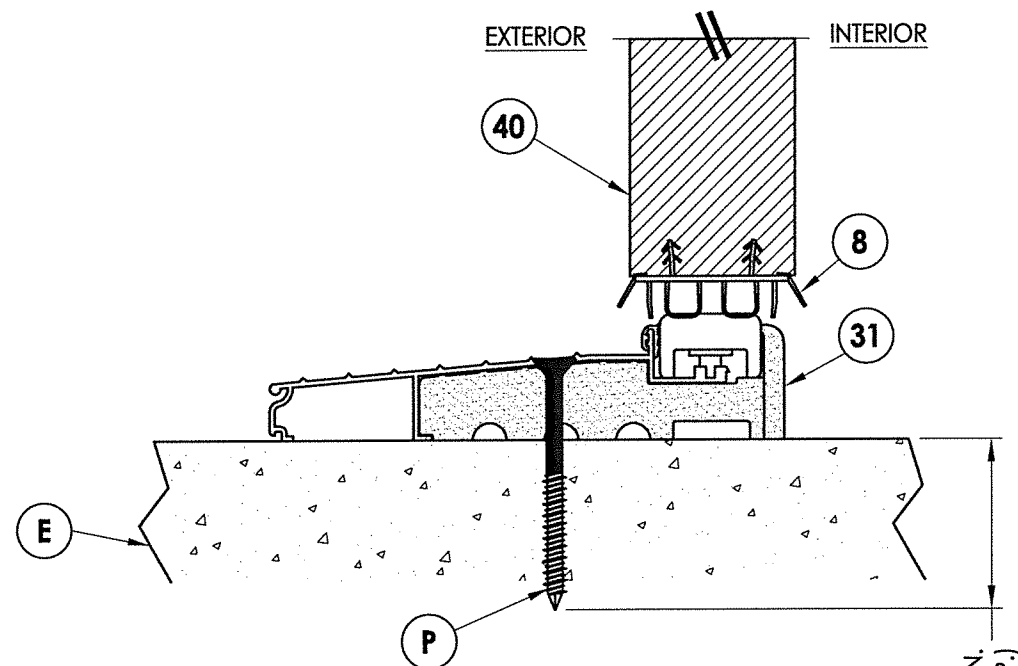
DATE: 3/24/21
SCALE: N.T.S.
DWG. BY: RW
CHK. BY: LFS
DRAWING NO.: FL-25575.14
SHEET 8 OF 13



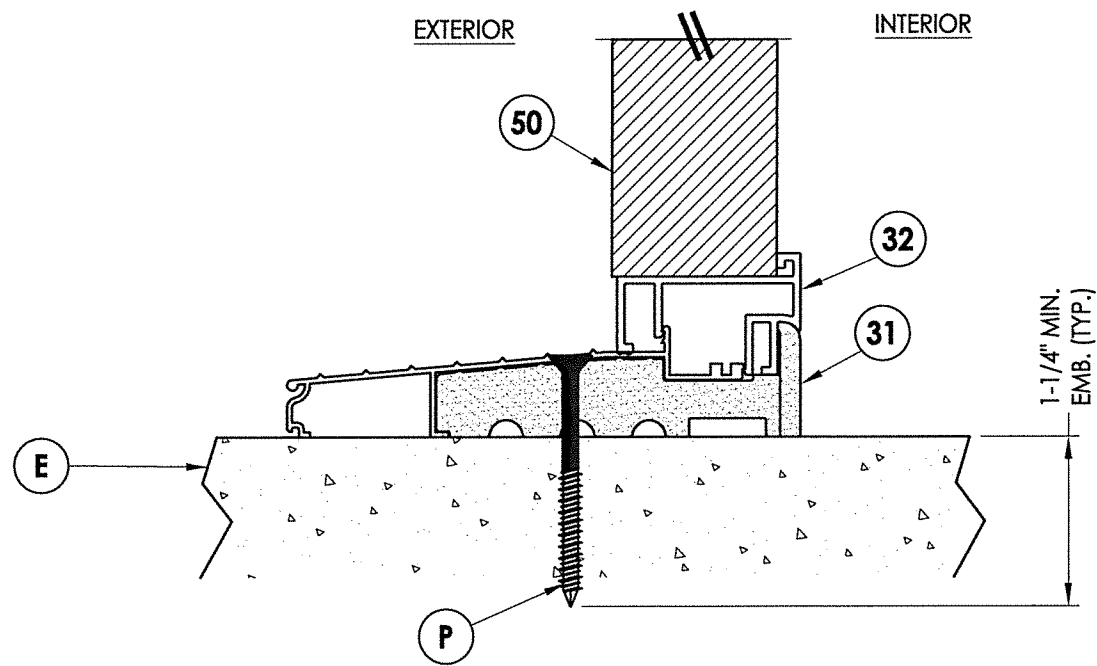
1 VERTICAL CROSS SECTION
9 Outswing sill - high dam



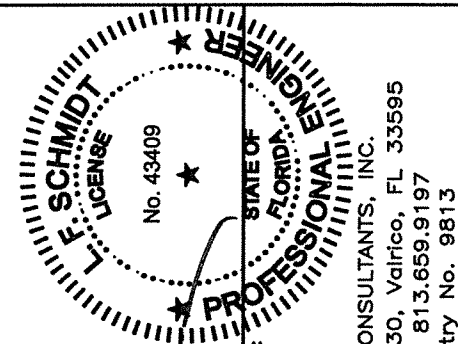
3 VERTICAL CROSS SECTION
9 Outswing sill - high dam

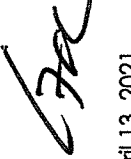



2 VERTICAL CROSS SECTION
9 Inswing sill



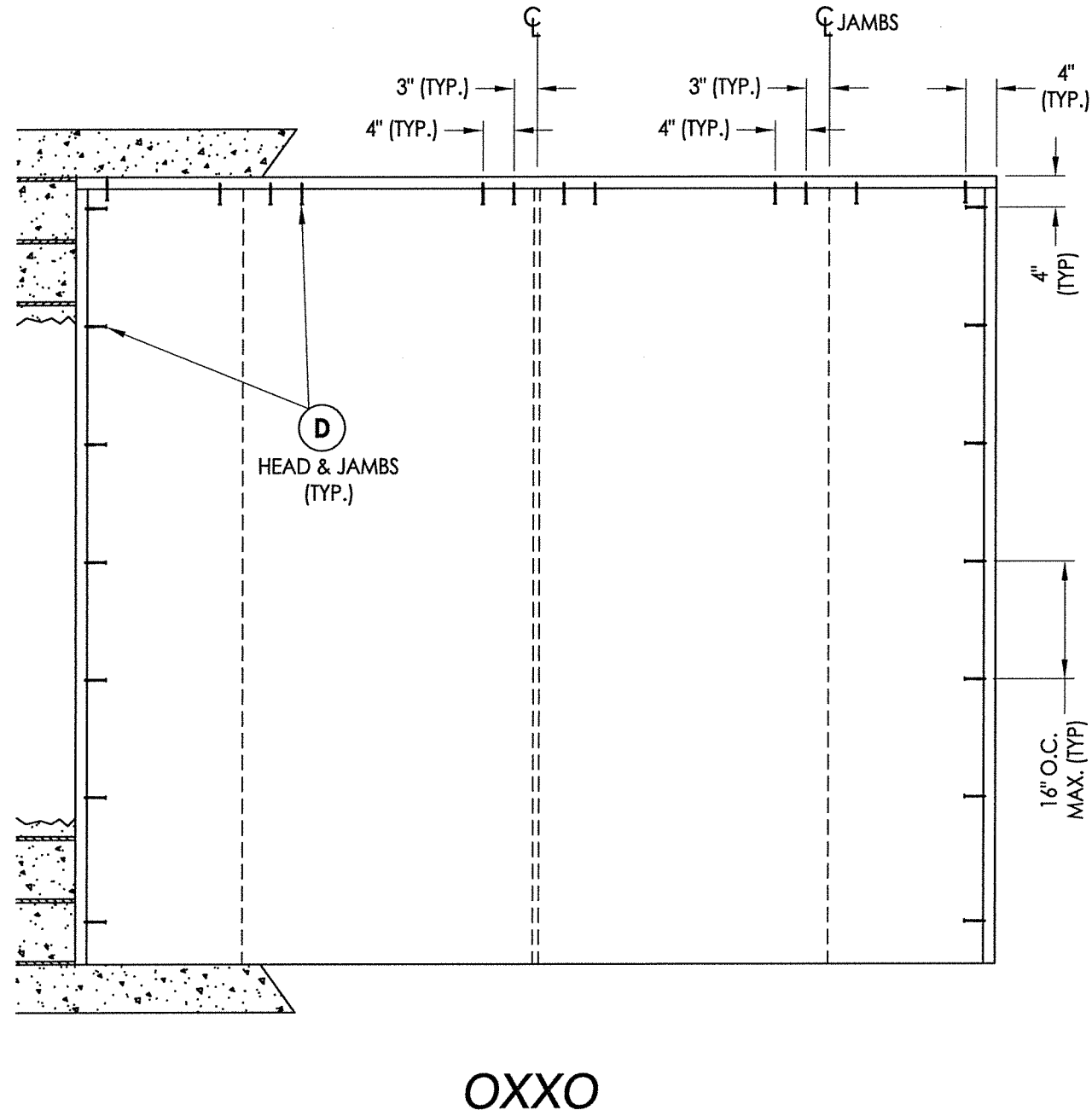
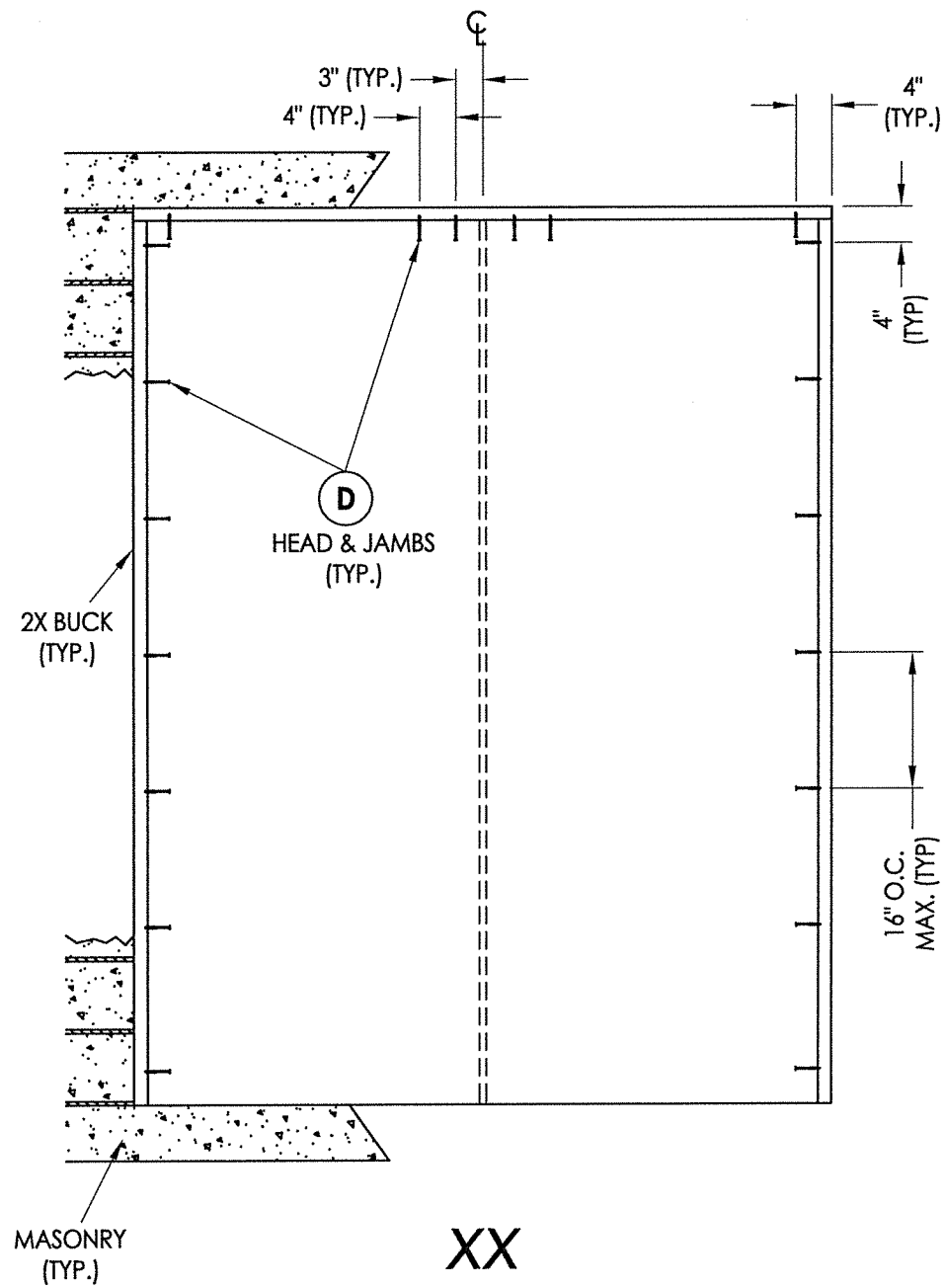
4 VERTICAL CROSS SECTION
9 Inswing sill



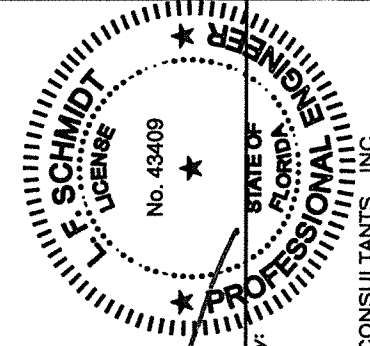

 April 13, 2021
 Documents Prepared By:
 Lyndon F. Schmidt
 P.E. No. 43409
 BUILDING CONSULTANTS, INC.
 P.O. Box 230, Valrico, FL 33595
 Phone No.: 813.659.9197
 FBPE Registry No. 9813

PRODUCT:	TRINITY GLASS INT'L
PART OR ASSEMBLY:	VERTICAL CROSS SECTIONS
DATE:	3/24/21
SCALE:	N.T.S.
DWG. BY:	RW
CHK. BY:	LFS
DRAWING NO.:	FL-25575.14
SHEET	9 OF 13

NO.	DATE	BY	REVISIONS



2X BUCK ANCHORING



LFS
 April 13, 2021

Documents Prepared By:
 Lyndon F. Schmidt
 P.E. No. 43409

RW BUILDING CONSULTANTS, INC.
 P.O. Box 230, Valrico, FL 33595
 Phone No.: 813.659.9197
 FBPE Registry No. 9813

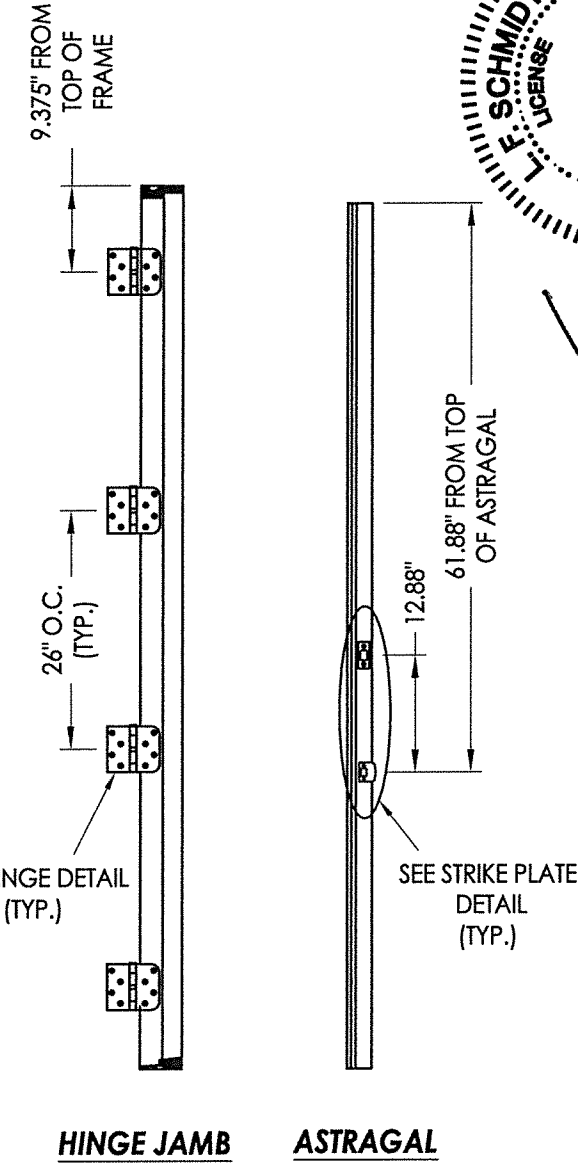
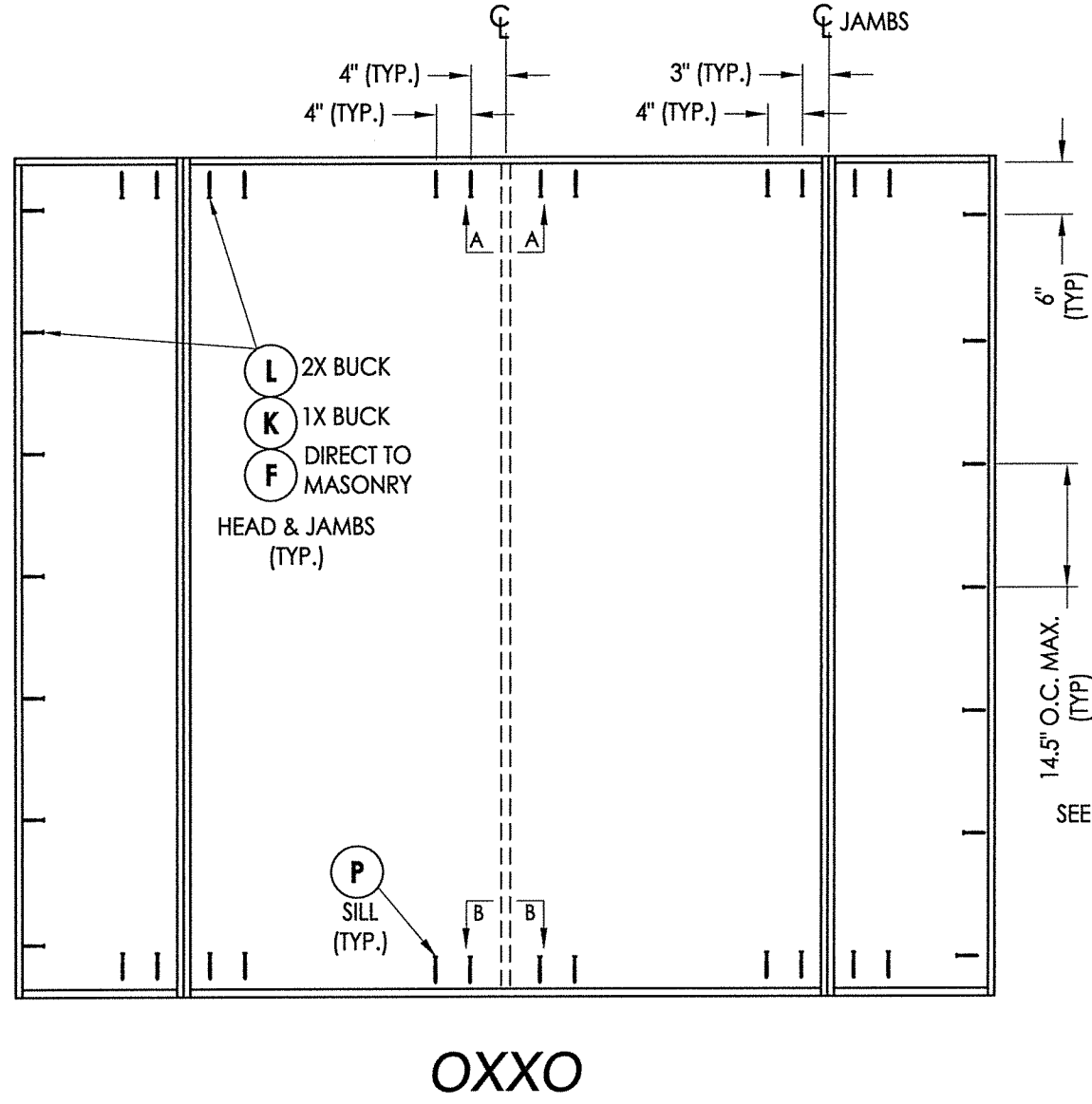
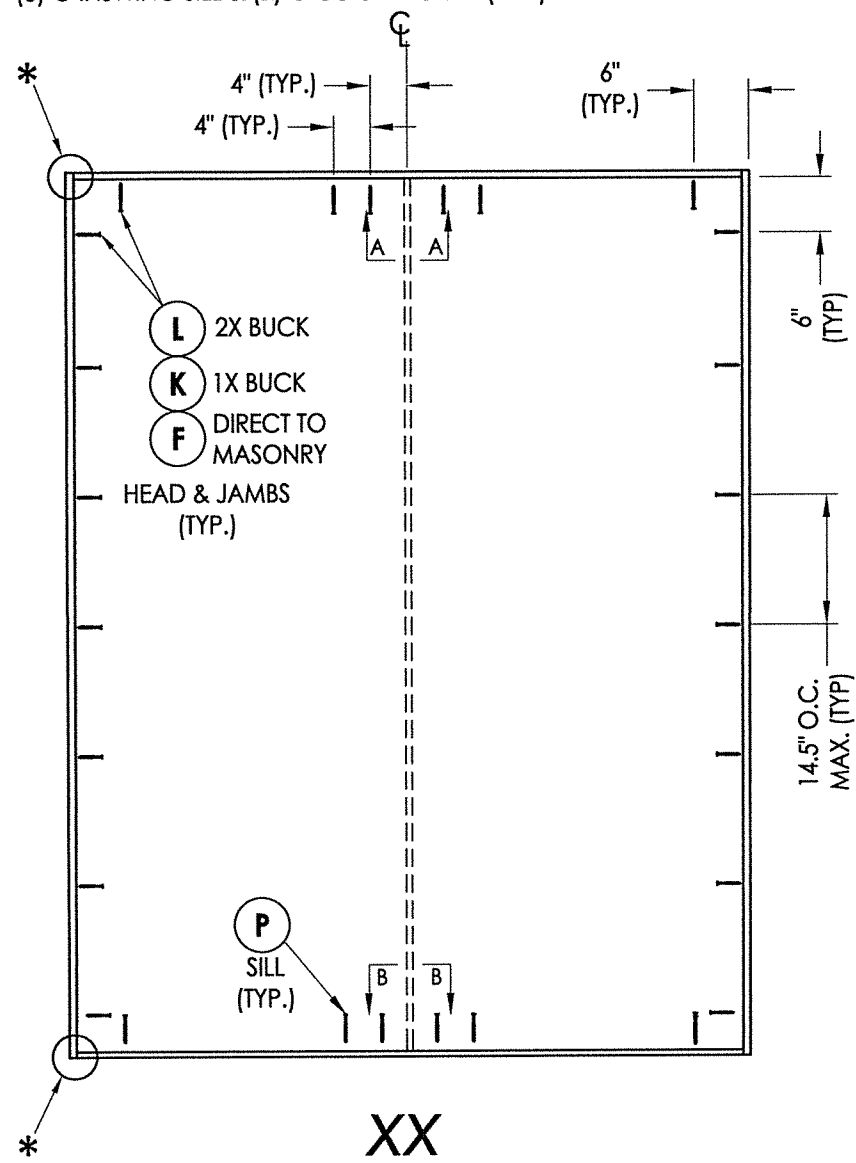
PRODUCT: TRINITY GLASS INT'L
 PART OR ASSEMBLY: BUCK ANCHORING

NO.	DATE	BY	REVISIONS

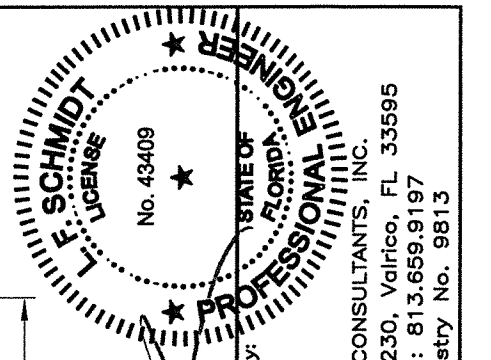
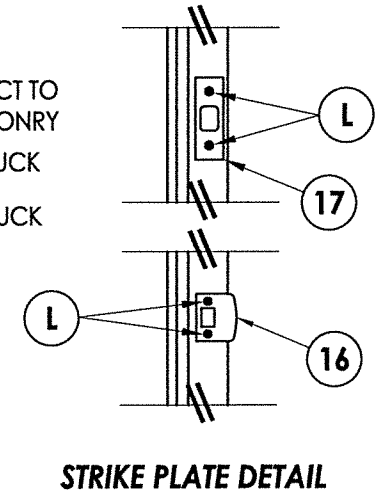
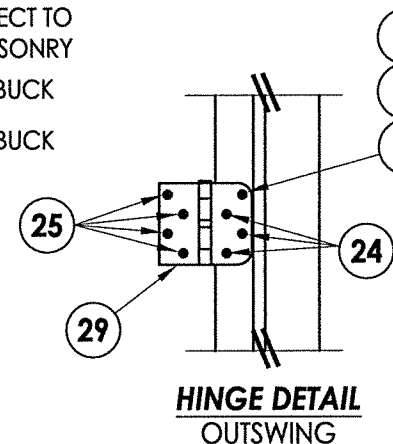
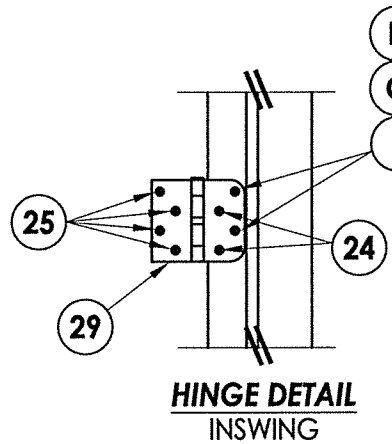
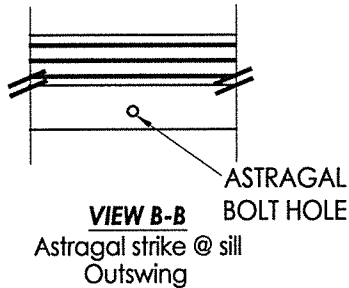
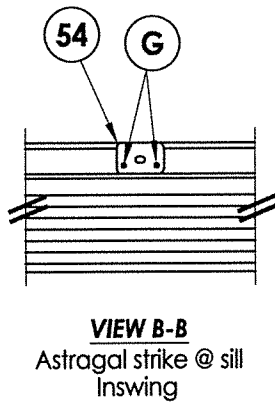
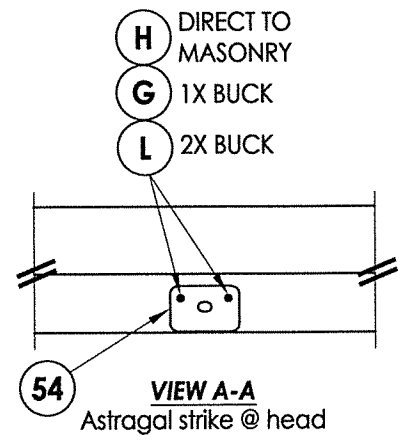
DATE: 3/24/21
 SCALE: N.T.S.
 DWG. BY: RW
 CHK. BY: LFS
 DRAWING NO.: FL-25575.14

Z:\Clients\Trinity Glass PERMANENTVA - Florida Product Approvals\FL - 25575\C. Drawings\FL 25575 (2020)\FL-25575.14-15.dwg

* NOTE: FRAME CORNERS ATTACHED w/ #8 X 2" COURSE THREAD DRYWALL SCREWS: (3) @ HEAD, (3) @ INSWING SILL & (2) @ OUTSWING SILL (TYP.).



FRAME ANCHORING

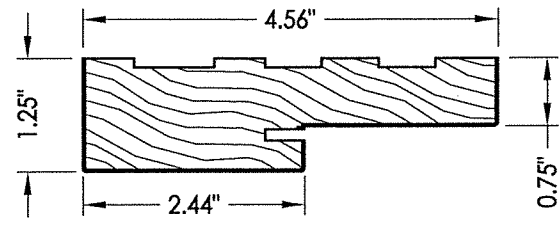


April 13, 2021
 Documents Prepared By:
 Lyndon F. Schmidt
 P.E. No. 43409

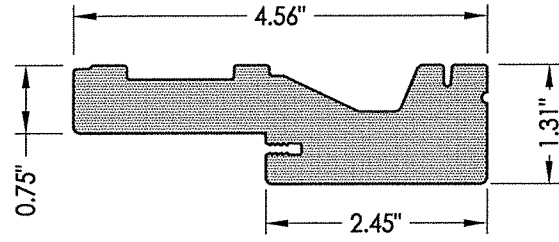
RW
 BUILDING CONSULTANTS, INC.
 P.O. Box 230, Valrico, FL 33595
 Phone No.: 813.659.9197
 FBPE Registry No. 9813

PRODUCT:	TRINITY GLASS INT'L	
PART OR ASSEMBLY:	FRAME ANCHORING	
NO.	DATE	BY
REVISIONS		
DATE:	3/24/21	
SCALE:	N.T.S.	
DWG. BY:	RW	
CHK. BY:	LFS	
DRAWING NO.:	FL-25575.14	
SHEET	11 OF 13	

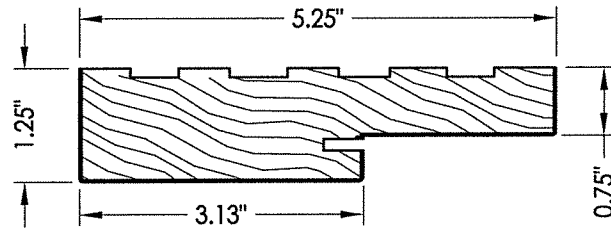
Z:\Clients\Trinity Glass PERMANENT\A - Florida Product Approvals\FL - 25575\C. Drawings\FL 25575 (2020)\FL-25575.14-15.dwg



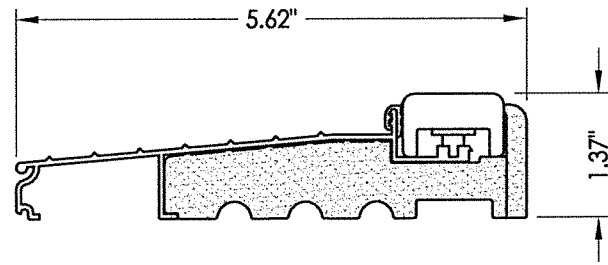
1 HEAD & JAMBS
FINGER JOINT PINE



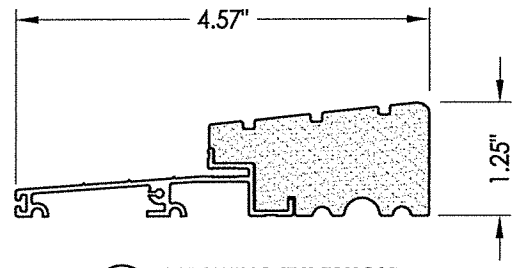
2 HEAD & JAMBS
PVC



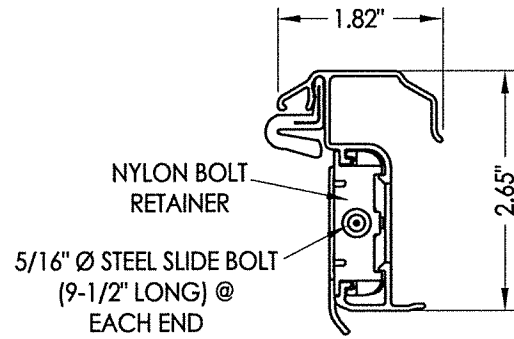
3 HEAD & JAMBS
FINGER JOINT PINE



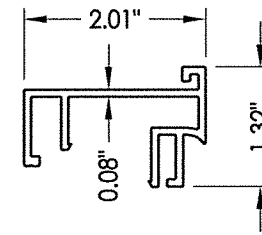
31 INSWING THRESHOLD



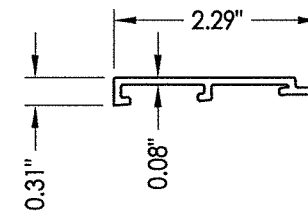
33 OUTSWING THRESHOLD
High-dam



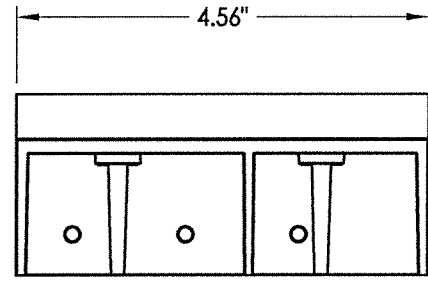
53 ULTIMATE HURRICANE ASTRAGAL
Endura Products



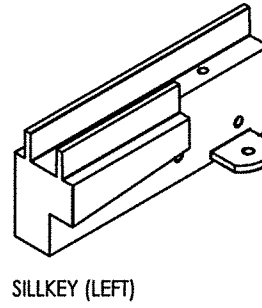
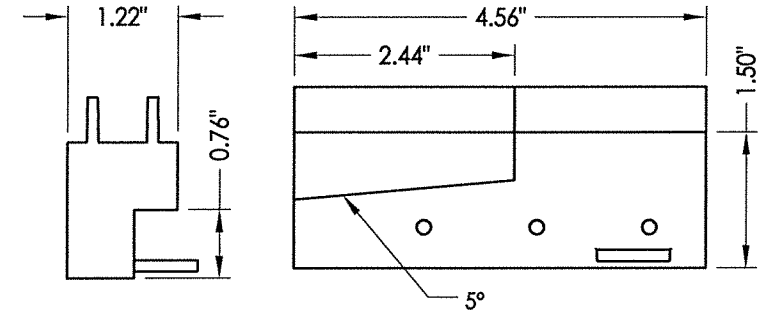
32 SIDELITE SPACER
Inswing



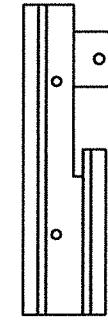
34 SIDELITE SPACER
Outswing



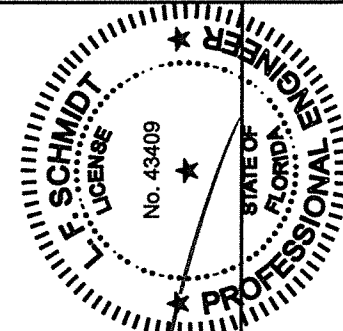
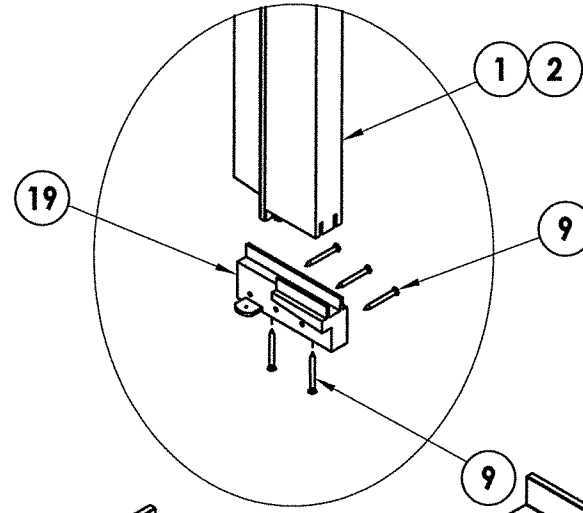
19 SILLKEY DETAILS
Optional



SILLKEY (LEFT)



SILLKEY (RIGHT)



LFS

April 13, 2021

Documents Prepared By:
Lyndon F. Schmidt
P.E. No. 43409

RW BUILDING CONSULTANTS, INC.
P.O. Box 230, Valrico, FL 33595
Phone No.: 813.659.9197
FBPE Registry No. 9813

PRODUCT:	TRINITY GLASS INT'L
PART OR ASSEMBLY:	COMPONENTS

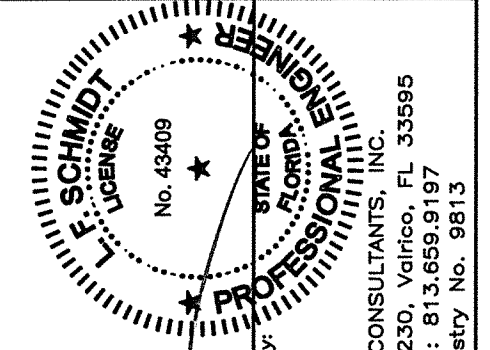
NO.	DATE	BY

DATE:	3/24/21
SCALE:	N.T.S.
DWG. BY:	RW
CHK. BY:	LFS
DRAWING NO.:	FL-25575.14
SHEET	12 OF 13

REVISIONS

© 2021 R.W. BUILDING CONSULTANTS INC.

BILL OF MATERIALS		
ITEM #	DESCRIPTION	MATERIAL
A	1X BUCK (SG >= 0.42)	WOOD
B	2X BUCK (SG >= 0.42)	WOOD
C	1/4" MAX. SHIM SPACE	-
D	1/4" X 2-3/4" PFH DeWALT OR ITW CONCRETE SCREW	STEEL
E	MASONRY - 3,000 PSI MIN. CONCRETE CONFORMING TO ACI 301 OR HOLLOW BLOCK CONFORMING TO ASTM C90	CONCRETE
F	1/4" X 3-3/4" PFH ITW CONCRETE SCREW	STEEL
G	3/16" X 3-1/4" PFH ITW CONCRETE SCREW	STEEL
H	3/16" X 2-1/4" PFH ITW CONCRETE SCREW	STEEL
K	1/4" X 2-3/4" PFH DeWALT CONCRETE SCREW	STEEL
L	#10 X 2-1/2" PFH WS (1.15" MIN. EMBEDMENT)	STEEL
P	1/4" X 2-3/4" PFH DeWALT OR ITW CONCRETE SCREW	STEEL
1	HEAD & JAMB (FINGER JOINT PINE: SG >= 0.42)	WOOD
2	HEAD & JAMB	PVC
3	HEAD & JAMB (5.25") (FINGER JOINT PINE: SG >= 0.42)	WOOD
7	WEATHERSTRIP	FOAM
8	DOOR BOTTOM SWEEP	PVC
9	#6 X 1-1/4 PFH DRYWALL SCREW	STEEL
11	#9 X 2-1/4" PFH WOOD SCREW	STEEL
16	LATCH STRIKE PLATE	STEEL
17	DEADBOLT STRIKE PLATE	STEEL
19	SILLKEY	ABS
22	#8 X 1" FH WOOD SCREW	STEEL
24	#9 X 3/4" PFH WS	STEEL
25	#9 X 1" PFH WS	STEEL
26	#10 X 2" PFH WS	STEEL
27	#8 X 2-1/2" PFH WOOD SCREW	STEEL
28	#10 X 3" PFH WOOD SCREW	STEEL
29	4" X 4" HINGE	STEEL
31	INSWING THRESHOLD ALUMINUM w/ COMPOSITE SUBSTRATE	ALUM/ COMP
32	SIDELITE SPACER - INSWING	PVC
33	OUTSWING HIGH - DAM THRESHOLD ALUMINUM w/ COMPOSITE SUBSTRATE	ALUM/ COMP
34	SIDELITE SPACER - OUTSWING	PVC
40	DOOR PANEL	-
50	SIDELITE PANEL	-
53	ALUMINUM ASTRAGAL	ALUM
54	ASTRAGAL STRIKE PLATE	STEEL



April 13, 2021
 Documents Prepared By:
 Lyndon F. Schmidt
 P.E. No. 43409
 RW BUILDING CONSULTANTS, INC.
 P.O. Box 230, Vairico, FL 33595
 Phone No.: 813.659.9197
 FBPE Registry No. 9813

PRODUCT: TRINITY GLASS INT'L
 PART OR ASSEMBLY: BILL OF MATERIALS

NO.	DATE	BY	REVISIONS

CONCRETE ANCHOR NOTES:

- Concrete anchor locations at the corners may be adjusted to maintain the min. edge distance to mortar joints.
- Concrete anchor locations noted as "MAX. ON CENTER" must be adjusted to maintain the min. edge distance to mortar joints, additional concrete anchors may be required to ensure the "MAX. ON CENTER" dimension are not exceeded.
- Concrete anchor table:

ANCHOR TYPE	ANCHOR SIZE	MIN. EMBEDMENT	MIN. CLEARANCE TO MASONRY EDGE	MIN. CLEARANCE TO ADJACENT ANCHOR
ITW BUILDEX TAPCON®	3/16"	1-1/4"	AS SHOWN	1-1/2"
DeWALT ULTRACON®	1/4"	1-1/4"	2"	4"
DeWALT ULTRACON®	1/4"	1-1/4"	1"	4"

WOOD SCREW INSTALLATION NOTES:

- Maintain a minimum 5/8" edge distance, 1" end distance, & 1" o.c. spacing of wood screws to prevent the splitting of wood.

DATE: 3/24/21
 SCALE: N.T.S.
 DWG. BY: RW
 CHK. BY: LFS
 DRAWING NO.: FL-25575.14
 SHEET 13 OF 13